

Accessories: Sonstiges BES 516-615-NS-1-PU-05

Common Data

Version	Analog Switching Amplifier for direct installation, PNP analog and NPN NO
Usable with	Analog-Sensor BIL, BOD or BAW
Ambient temperature	-10...+70°C
Function display	yes

Mechanical Data

Measurements WxHxD or Dia x D	M18x1 x 71
Material	Nickel plated brass
Protection class per IEC 60529	IP 67
Cable version	5 m Cable PUR
Conductor cross section	7x0,25mm ²

Electrical Data

Supply voltage	15...30V DC
----------------	-------------

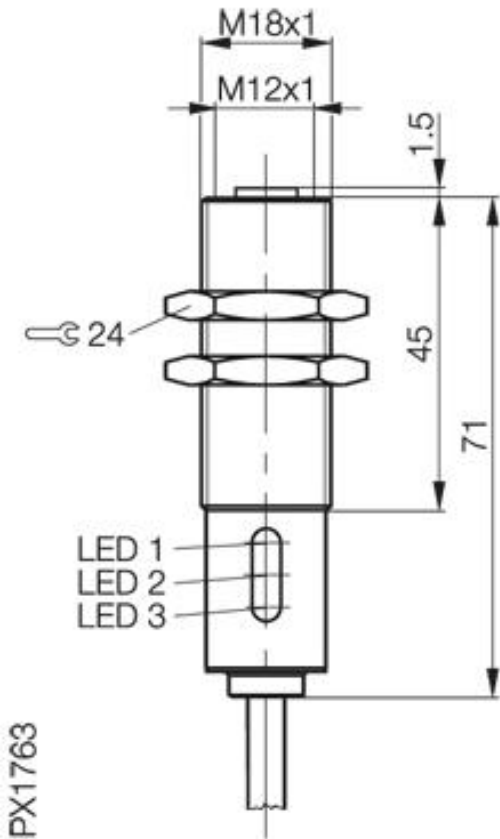
Remarks

Then connecting the control line to the (+) side of the supply voltage enables a "Teach-in" mode, whereby the set distance is assigned to the signal level present and this value is stored in the device.

This procedure is assisted by means of LED's.

During operation these LED's are used as a switching state indicator.

For sensors with a temperature output the analog temperature signal is made available in unchanged form on the device output.



PX1763

Datasheet number::

Definitions see general catalog.
If not otherwise noted, ratings according to
IEC 60947-5-2 (DIN EN60947-5-2)

Balluff GmbH
Schurwaldstrasse 9
73765 Neuhausen a.d.F.
Phone (07158) 173-0 Fax (07158) 5010

Datenblatt by CD-ROM - 04/2007

BALLUFF
sensors worldwide